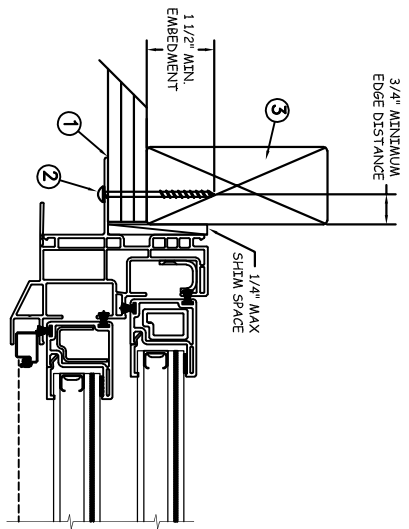
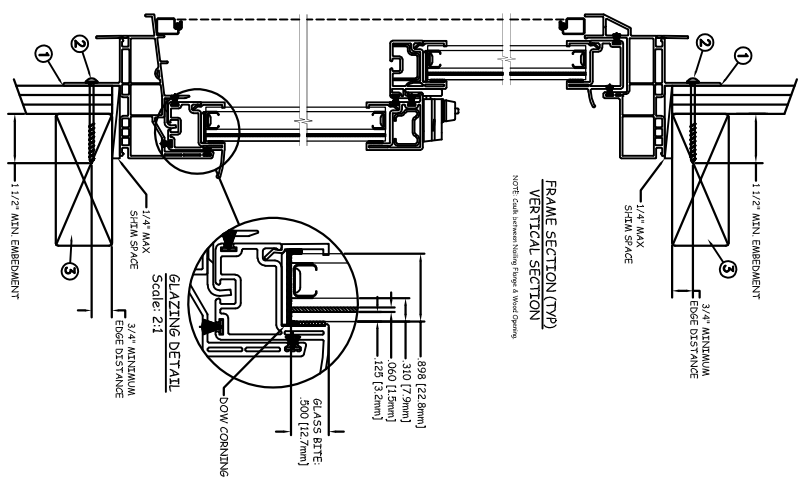


TYPICAL ELEVATION WITH FASTENER SPACING



NAIL FIN INSTALLATION

|           |           |        |
|-----------|-----------|--------|
| Max Frame | DP RATING | IMPACT |
| 48 x 77   | +50/-55   | YES    |

WINDZONE 2

- Installation Notes:**
1. Seal flange/frame to substrate.
  2. Use #8 PH or greater fastener through the nail fin with sufficient length to penetrate a minimum of 1 1/2" into the wood framing. For two (2X) wood frame substrate (min. S.G. = 0.42).
  3. Host structure (wood buck, masonry, steel) to be designed and anchored to properly transfer all loads to the structure. The host structure is the responsibility of the architect or engineer of record for the project of installation.

- General Notes:**
1. The product shown herein is designed, tested and manufactured to comply with the wind load criteria of the adopted International Building Code(IBC), the International Residential Code(IRC), the Florida Building Code(FBC) excluding HVHZ and the industry requirement for the stated conditions.
  2. All glazing shall conform to ASTM E1300.
  3. At minimum, glazing shall be 3.2mm annealed - 11.8mm airspace - 3.2mm annealed - 1.5mm PVB interlayer by Kuraray - 3.2mm annealed insulated glass.
  4. Use structural or composite shims where required.

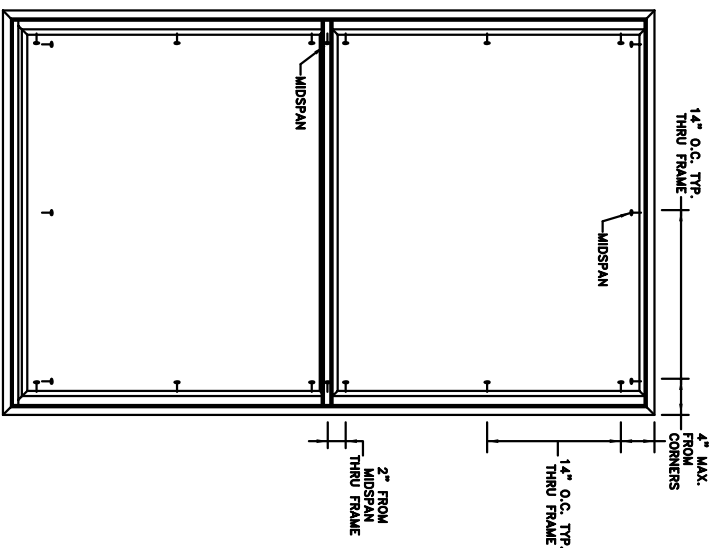
This schedule addresses only the fasteners required to anchor the window to achieve the rated design pressure up to the size limitations noted. It is not intended as a guide to the installation process and does not address the sealing consideration that may arise in different wall conditions. For the complete installation procedure, see the instructions packaged with the window or go to [www.jeld-wen.com/resources/installation](http://www.jeld-wen.com/resources/installation).

**DISCLAIMER:**  
This drawing and its contents are confidential and are not to be reproduced or copied in whole or in part or used or disclosed to others except as authorized by JELD-WEN Inc.

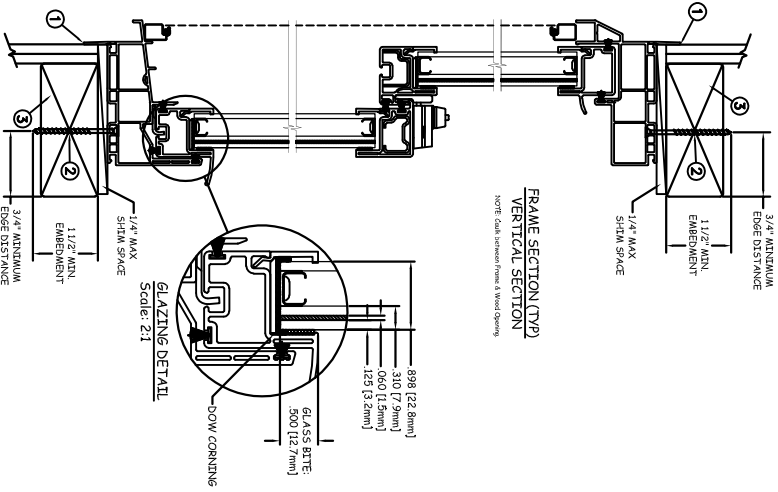
|                   |                          |  |
|-------------------|--------------------------|--|
| PROJECT ENGINEER: | DATE:                    | 12/26/17                                     |
| DRAWN BY:         | SCALE:                   | NTS  |
| A. McMILLAN       | TITLE:                   | Premium Vinyl Tilt Double Hung Impact Window |
| CHECKED BY:       |                          |  |
| J. GOOSSSEN       |                          |  |
| APPROVED BY:      |                          |  |
| J. GOOSSSEN       |                          |  |
| PART/PROJECT NO.: |                          |  |
| D014486           |                          |  |
| IDENTIFIER NO.:   | PLANT NAME AND LOCATION: |  |
| 110-17-126        |                          |  |
| CAD DWG. NO.:     | REV:                     | SHEET  |
| Prem/Vin/IDH      | A                        | 1 OF 4                                       |

3250 Lakeport Blvd  
Klamath Falls, OR, 97601  
Phone: (800) 535-3936

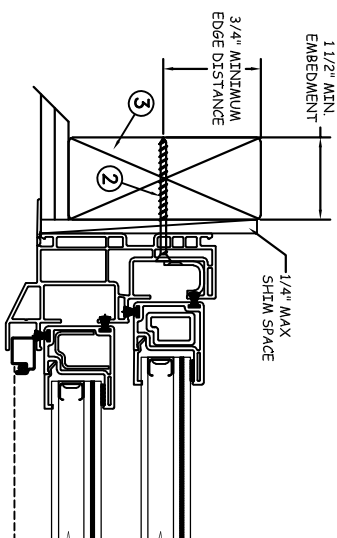




TYPICAL ELEVATION WITH FASTENER SPACING



FRAME SECTION (TYP)  
VERTICAL SECTION  
NOTE: Gullit between Frame & Wood Opening  
GLAZING DETAIL  
Scale: 2:1  
898 (22.8mm)  
310 (7.9mm)  
660 (16.5mm)  
129 (3.2mm)  
GLASS SET:  
300 (12.7mm)  
DOW CORNERING  
1/4\"/>



JAMB SECTION (TYP)  
HORIZONTAL SECTION  
NOTE: Gullit between Frame & Wood Opening

THROUGH FRAME  
INSTALLATION

|           |           |        |
|-----------|-----------|--------|
| Max Frame | DP RATING | IMPACT |
| 48 x 77   | +50/-55   | YES    |

WINDZONE 2

Installation Notes:

1. Seal flange/frame to substrate.
2. Use #8 PH or greater fastener through the frame with sufficient length to penetrate a minimum of 1 1/2" into the wood framing. For two (2X) wood frame substrate (min. S.G. = 0.42).
3. Host structure (wood buck, masonry, steel) to be designed and anchored to properly transfer all loads to the structure. The host structure is the responsibility of the architect or engineer of record for the project of installation.

General Notes:

1. The product shown herein is designed, tested and manufactured to comply with the wind load criteria of the adopted International Building Code(IBC), the International Residential Code(IRC), the Florida Building Code(FBC) excluding HVHZ and the industry requirement for the stated conditions. All glazing shall conform to ASTM E1300.
2. At minimum, glazing shall be 3.2mm annealed - 1', 8mm airspace - 3.2mm annealed - 1.5mm PVB Interlayer by Kuraray - 3.2mm annealed insulated glass.
3. Use structural or composite shims where required.

This schedule addresses only the fasteners required to anchor the window to achieve the rated design pressure up to the size limitations noted. It is not intended as a guide to the installation process and does not address the sealing consideration that may arise in different wall conditions. For the complete installation procedure, see the instructions packaged with the window or go to [www.jeld-wen.com/resources/installation](http://www.jeld-wen.com/resources/installation).

DISCLAIMER:

This drawing and its contents are confidential and are not to be reproduced or copied in whole or in part or used or disclosed to others except as authorized by JELD-WEN Inc.

|                               |  |  |
|-------------------------------|--|--|
| PROJECT ENGINEER:<br>---      | DATE:<br>12/26/17                                      | <b>JELD-WEN</b><br>Klamath Falls, OR, 97601<br>Phone: (800) 535-3936 |
| DRAWN BY:<br>A. McMILLAN      | SCALE:<br>NTS  |  |
| CHECKED BY:<br>J. GOOSSSEN    | TITLE:<br>Premium Vinyl Tilt Double Hung Impact Window | 3250 Lakeport Blvd   |
| APPROVED BY:<br>J. GOOSSSEN   |  |  |
| PART/PROJECT NO.:<br>D014486  |  |  |
| IDENTIFIER NO.:<br>110-17-126 | PLANT NAME AND LOCATION:                               |  |
|                               | CAD DWG. NO.:<br>PlenVlm/ITDH                          |  |
|                               | REV: A   |  |
|                               | SHEET  | 2 OF 4   |